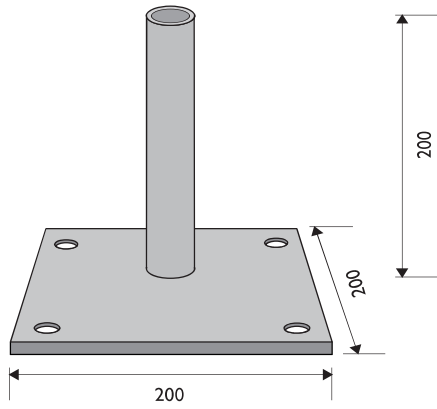
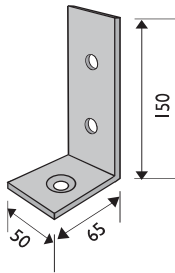


Column Steelwork Specifications

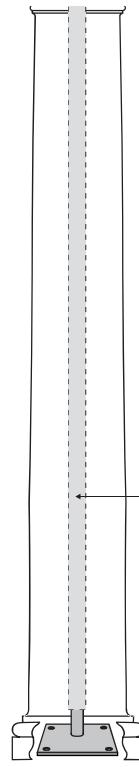
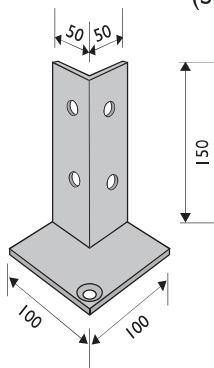


Top Bracket MO2
(Scale 1:5)



Top Corner Bracket MO3

(Scale 1:5)



Carrara
column
without capital
and base
mouldings.

Note shaft and
pipe are moulded
together. Cap
and Base

48.3 mm OD CHS
Galvanised Pipe
(wall thickness 3.2 mm)

Bottom Fixing Plate

Scale 1:20